

# 三久玉米種子用脫粒機

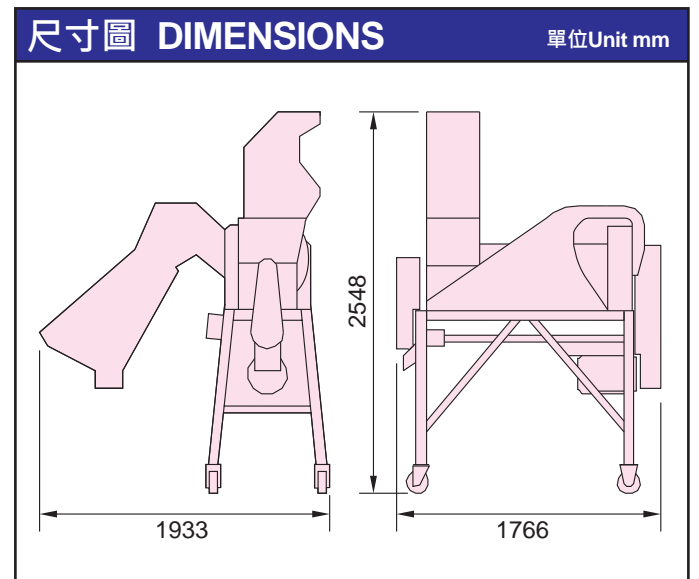
## SUNCUE CORN SHELLER



自動分離玉米與玉米穗軸，  
同時進行風選，經風選處理後，  
脫粒的玉米更乾淨。

Auto-separate corn and cob,  
plus aspiration with air blower.

規格 SPECIFICATIONS		機型Model	SS-135
項目Item			玉米穗 Corn on cob
適用穀物 Application			玉米穗 Corn on cob
機台尺寸 Dimension 長x寬x高mm LxWxH mm			1,933x1,766x2,548
空機重量 Net Weight 約公斤 Approx. kg			558 含馬達 Including motor
處理量 Capacity 噸/小時 ton/ hr			8~13.5
電壓 Voltage			三相3P, 220V/380V/415V/440V, 50/60Hz
動力 Power Consumption			7.5kW 10HP
脫粒筒長度 Length of Threshing Cylinder mm			1197
脫粒筒轉速 RPM of Threshing Cylinder			720
集粒方式 Kernel Collecting Method			螺旋水平輸送 Horizontal transport via a screw
排穗軸方式 Cob Discharge			輪機排穗軸 Via a rotary device
進料方式 Feeding Method			擱板輸送 Via a slat conveyor



●圖示及規格僅供參考，實際產品規格以客戶簽署訂單及出貨實物為主。  
●The specification and graph are for reference only. Actual specification of SUNCUE product shall be based on the Sales Confirmation which customers sign and delivered products.

