

# SUNCUE Steam Type Grain Dryer

SUPER-120 / 300HS · MD-165S · PHS-320S



Professional design for even drying

Durable design for professional and long-term usage

Suitable for users with boiler and want to utilize heat source of the boiler effectively

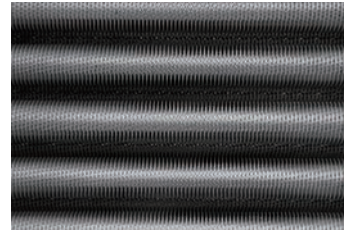
For users who don't have boiler should use Suncue husk type dryer which is a non-pressure vessel, easy to manage and low fuel cost

## Features

- Suncue steam heat exchanger uses special fin-type heat exchanger pipe.
- Durable design of steam heat exchanger with larger heat exchange area and high heat exchange efficiency, which can dry grains fast and evenly.
- Fully automatic temperature control. Hot air temperature can be controlled within  $\pm 2^{\circ}\text{C}$  under normal boiler pressure and temperature increase range.
- Suncue grain dryer with steam heat exchanger can ensure high quality rice and seeds with fast drying rate and even moisture content.
- Heat is supplied by boiler. Steam pressure should be around  $6\text{kg}/\text{cm}^2$ , and the maximum pressure can't exceed  $7\text{kg}/\text{cm}^2$ . By passing through heat exchangers, hot air can be used for drying immediately.
- Boiler is a dangerous device. It should be installed in a boiler house and operated by professionally-trained personnel with official license by laws. The operation must obey local government regulations.



SUPER-300HS Heat exchanger

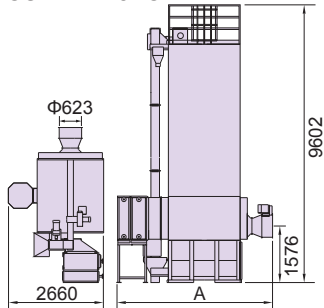


Special fin-type heat exchanger pipes

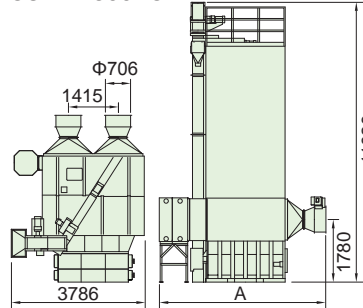
## Dimensions

Unit: mm

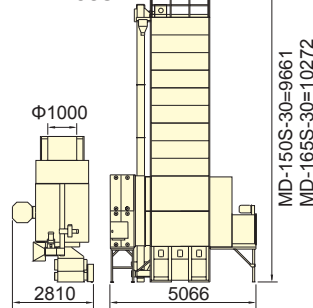
### SUPER-120HS



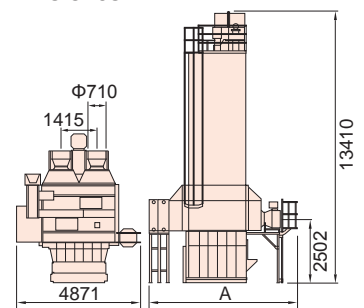
### SUPER-300HS



### MD-165S



### PHS-320S



## Specifications

Item		Model	SUPER-120HS-7	SUPER-120HS-12	SUPER-300HS-5	SUPER-300HS-7	SUPER-300HS-12	MD-150S-30	MD-165S-30	PHS-320S-07	PHS-320S-12	
Capacity kg approx.	Paddy	560g/liter	2,800~12,000		4,000~30,000			Maize 690g/liter	Maize 690g/liter	7,800~32,000		
	Wheat	680g/liter	3,400~14,550		5,000~36,400			7,000~15,000	7,000~16,500	9,600~38,800		
Dimension mm	Length	A	3,971	4,321	4,302	4,395	4,745	5,066		5,497	5,846	
	Width		2,660		3,786			2,810		4,871		
	Height		9,602		11,629			9,661	10,272	13,410		
Net weight		kg approx.	2,453	2,558	5,210	5,265	5,420	3,505	3,600	6,465	6,530	
Electricity			3P, 220V/380V/415V/440V, 50/60Hz									
Power Consumption		kW	6.25		13.1			11		13.1		
Function Paddy	Loading approx. mins		60		65			Maize 69	Maize 75	55		
	Discharging approx. mins		58		70			Maize 63	Maize 70	50		
	Drying rate %/hr		0.5~1.5					Maize 2.5~3.5	Maize 1.8~2.6	0.6~1.0		
Temperature elevated range Ambient Temp.			+26~50°C	+16~76°C	+25~42°C	+41~71°C	+21~86°C	+46~80°C		+15~45°C	+15~70°C	
Application region			Regular	Cold, Frigid	Regular	Cold	Frigid	Regular, Cold, Frigid		Regular	Cold	
Application grains			Paddy, Wheat	Paddy, Wheat, Maize	Paddy, Wheat		Paddy, Wheat, Maize	Maize		Paddy, Wheat	Paddy, Wheat, Maize	
Boiler capacity		ton/hr	0.6	0.8	1.0	1.8	2.2	1.2		1.2	2.4	
Boiler pressure		kg/cm <sup>2</sup>	7									
Safety devices			Thermo-over relay, Air pressure switch, Full load buzzer, Timer, Control fuse, Shock detector								Thermo-over relay, Air pressure switch, Full load buzzer, Timer, Control fuse, Rotary valve sensor, Shock detector	

- Listed parameters and drying rate are for reference only and in accordance to grain with initial and target moisture content as following: Paddy: 26% to 15%, wheat and maize: 30% to 12.5%. Actual value varies in correlation to ambient temperature, relative humidity, grain variety, hot air temperature, moisture content before and after drying.
- Specifications subject to change without notice.

### SUNCUE COMPANY LTD.

No.396, Minsheng Rd., Wufeng Dist., Taichung City 41348, Taiwan, R.O.C.

TEL +886-4-2339-7171 FAX +886-4-2330-2939

Website www.suncue.com E-mail sales@suncue.com

### SHANGHAI SUNCUE MACHINERY CO., LTD.

3039 Huaxiang Road, Minhang District, Shanghai, 201107 China

TEL +86-21-6221-1839 FAX +86-21-6221-1848

Website www.suncue.com E-mail suncue.sh@gmail.com

Service Center

