

三久生質能食品乾燥機

SUNCUE BIOMASS FOOD DRYER



芒果
Mango



香菇
Mushroom



柿子
Persimmon



番茄
Tomato



FV-180



BB-18



乾燥物 APPLICATIONS

水果 Fruits	切片類 Sliced	芒果、蘋果、鳳梨、香蕉、柳橙、梨子、木瓜、桃子、檸檬、椪柑等 Mango, apple, pineapple, banana, citrus, pear, papaya, peach, lemon, orange, etc.
	顆粒類 Granular	龍眼果肉、柿子、葡萄、藍莓、梅子等 Longan flesh, persimmon, grape, blueberry, plum, etc.
蔬菜 Vegetables		蘿蔔、番茄、蒜頭、茄子、小黃瓜、牛蒡、扁豆、菜豆、南瓜、苦瓜、竹筍、菜籽、紅薯乾、黑豆、蓮藕、蔥、雪蓮果、秋葵、豆芽、花菜、塔菜等 Carrot, Chinese radish, tomato, garlic, eggplant, cucumber, burdock, lablab-bean, green bean, pumpkin, bitter melon, bamboo shoot, vegetable seed, dried sweet potato, black soybean, lotus root, onion, yacon, okra, bean sprout, cauliflower, brassica narinosa, etc.
菇類 Mushrooms		香菇、舞茸菇、茶樹菇、柳松菇、木耳等 Mushroom, maitake mushrooms, agrocybe aegerita, brown swordbelt, black fungus, etc.
水產 Seafoods		海帶、海萵苣、紫菜、釣餌、珊瑚草、海石花等 Kelp, seaweed, sea lettuce, fish bait, glabrous herbcoral, agar, etc.
香料 Spices		辣椒、羅勒、八角、胡椒、迷迭香、肉桂、香草、艾草、鼠尾草、茴香、薄荷等 Red chili, basil, star anise, black pepper, rosemary, cinnamon, vanilla, mugwort, sage, anise, mint, etc.
其他 Others		乾燥花、花茶、豆干、中藥材、紅棗、枸杞、茯苓、陳皮、山楂、菊花、當歸等 Dried flower, flower tea, dried bean curd, Chinese medicine, jujube, goji berry, poria, chengpi, hawthorn, chrysanthemum, female ginseng, etc.

食品品種、含水率、氣候條件、乾燥溫度等各式各樣。開始乾燥前應先洽當地食品指導機關，確認乾燥方法後，須先試烘，確定品質符合標準，才可進行批量乾燥。
Due to the variation of foods, moisture content, climate and drying temperature, etc. Users shall consult local food authorities before drying.

特點 FEATURES

乾燥成本最低 Lowest drying cost

三久生質能熱風爐，就地取材之稻殼或果樹枝下腳皆可當燃料，大幅降低乾燥成本，環保節能減碳。
Suncue Biomass Furnace combust local fuel such as rice husk or wood chips and etc. Dramatically reducing drying cost, CO₂ emission, saving energy and is eco-friendly.

顆粒狀食品乾燥物最適用 Most suitable for granular foods

完全間接熱風，乾燥熱風最乾淨，烘食品最理想，具有避免蚊蠅進入乾燥箱內污染乾燥物的功能。
The most ideal method for drying foods is to use the cleanest hot air from the indirect heat exchanging design. Also, it protects food from contamination by keeping insects out of the drying chamber.

風量及熱風溫度最理想 Optimum hot air volume and temperature

可依乾燥需求，調整不同的風量大小，不僅可節約能源，乾燥速度和品質，能達到最佳狀態。
Adjust hot air volume according to drying requirement. Not only saves energy but also maximizes drying rate and quality.

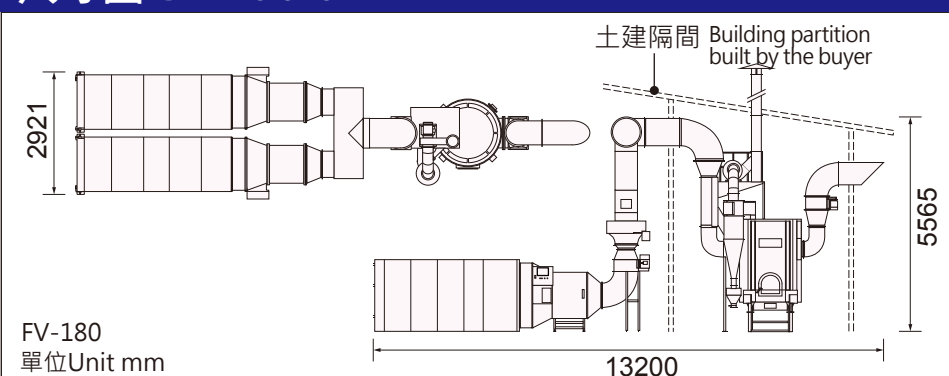
大型職業用乾燥量大 Large-scale drying capacity for professional massive drying

烤盤180個，烤盤面積高達130m²，最大可能的維持乾燥形狀，價值最好。
Up to 180 trays with a total surface area of 130m². The dryer that can maintain product shape after drying is the most valuable.

職業用最耐用 Most durable for professional drying

清潔的熱風不含焦油、火星、灰燼，不污染乾燥物，不會腐蝕機體，維修少、堅固又耐用。
Clean hot air, free of tar, spark and ash. No products contamination. No dryer corrosion. Durable and requires little maintenance.

尺寸圖 DIMENSIONS



烤盤規格 TRAY DIMENSIONS



規格表 SPECIFICATIONS

生質能熱風爐 (最大淨發熱量) Biomass Furnace (Max. net heat output)	約18萬仟卡/小時(粗糠) Approx. 180,000 kcal/hour (rice husk)		烤盤 Trays	機型 Model	FV-90	FV-180
				面積 Area	65m ²	130m ²
生質能消耗量(公斤/小時) Biomass Consumption(Kg/hour)	粗糠 Rice husk approx.	約76	台車 Cart	數量 Quantity	18個烤盤*5台車=90個烤盤 18 trays*5 carts=90 trays	18個烤盤*10台車=180個烤盤 18 trays*10 carts=180 trays
	木材下腳 Wood chips approx.	約10-70		材質 Material	標配 Standard	樹脂 Resin, 7kg/盤tray
生質能燃料 Biomass Fuel	粗糠、秸稈壓塊、玉米穗軸、椰子殼、木材下腳、咖啡殼 Rice husk, pressed strawbricks, corn cob, coconut shell, wood chip, coffee hull.		套動力 Required Power	荷重 Load	受訂生產 MTO	不鏽鋼 Stainless Steel, 11kg/盤tray
FV-180外形規格 Dimensions	長L13,200*寬W2,921*高H5,565mm			標配 Standard	鋼製品 Steel	
定額電壓 Rating Voltage	3相Phase 220V/380V/415V/440V, 50/60HZ		機型 Model	FV-90	FV-180	
安全裝置 Safety devices	熱動電驛、風壓開關、定時開關、控制保險絲、感震器 Thermo-over relay, air pressure switch, timer, control fuse, vibration sensor.		熱風爐 Biomass furnace	4.5kW / 6HP		
			通風乾燥機 Ventilating dryer	3.7kW / 5HP	7.4kW / 10HP	
控制模式 Control Modes	1. 可設定乾燥時間、熱風溫度及設定調整風量大小。Drying time, hot air temperature and hot air volume can be adjusted. 2. 手動木材投料：依熱量需求定量投料，熱風溫度可控制在±1°C。Wood chip manual feeding: feed according to heat requirement. The hot air temperature can be controlled within ±1°C from setting.		合計 Total	8.2kW / 11HP	11.9kW / 16HP	
			最高熱風溫度 Maximum Hot Air Temperature	外氣溫Ambient Temperature +40-45°C	外氣溫Ambient Temperature +35-40°C	
自動化選配設備 Optional Automation Equipment	1. 自動粗糠入料、排灰熱風爐Automatic husk feeding, ash discharging furnace 2. 自動粗糠入料裝置Automatic husk feeding device 3. 爐前粗糠桶Husk tank		4. 大型送粗糠機High capacity husk feeder 5. 粗糠入料提昇機Husk loading bucket elevator			

●規格顏色變更恕不另行通知。Specifications subject to change without notice.

●烤盤標配樹脂材質，最高乾燥溫度為70°C。The standard material for trays is resin, which can be used at a maximum temperature of 70°C.

SUNCUE
三久股份有限公司
SUNCUE COMPANY LTD.

41348台中市霧峰區民生路396號
No.396, Minsheng Rd., Wufeng Dist., Taichung City 41348, Taiwan (R.O.C.)
Tel +886-4-2339-7171 Fax +886-4-2330-2939
Website www.suncue.com
E-mail sales@suncue.com



經銷服務中心 Service Center